

# Product Specifications

Receiving card

**HD-R732**

V0.1

## 1. Overview

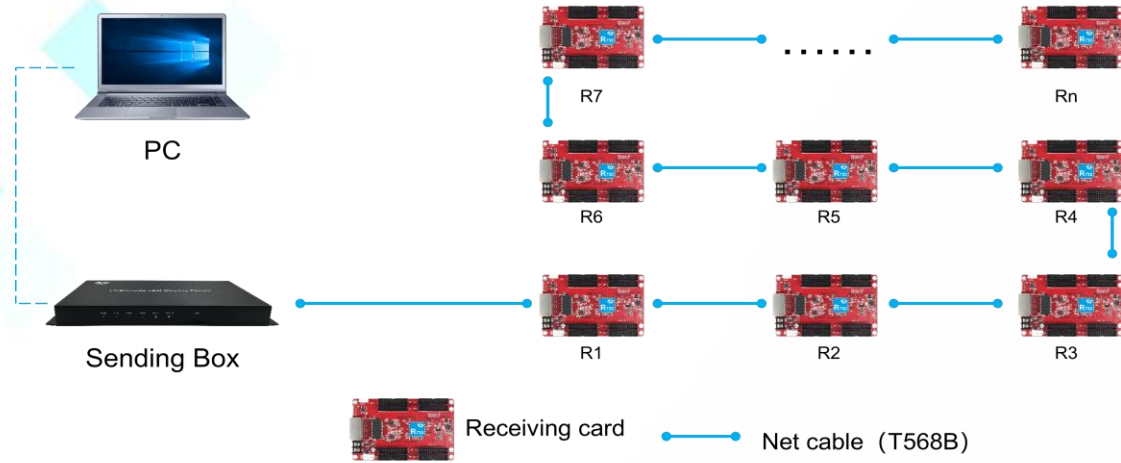
R732 is a receiving card used for fine pixel pitch LED screen, the maximum loading capacity is 256\*1024 pixels.

## 2. Parameters Table

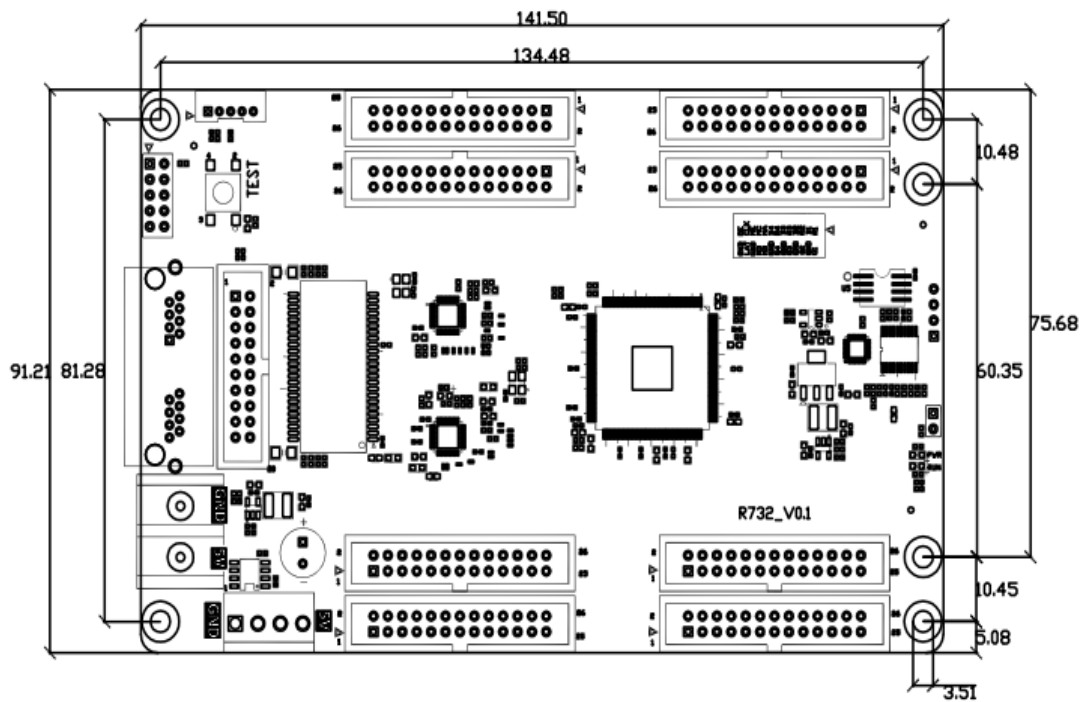
Function	Parameters
<b>Fit for sender</b>	Dual-mode Player box, Asynchronous controller, Synchronous sending card, 3 in 1 Video processor
<b>Module type</b>	Compatible with all common IC module, supported most PWM IC module.
<b>Scan mode</b>	Supports any scanning method from static to 1/128 scan
<b>Communication method</b>	Gigabit Ethernet
<b>Control range</b>	Max Recommend: 262,144 pixels (256*1024) Note: P1.538 and P1.25 can be fully loaded with 8 ports
<b>Multi-card connection</b>	Receiving card can be put in any sequence
<b>Gray scale</b>	256~65536
<b>Smart setting</b>	A few simple steps to complete the smart settings, through the screen layout can be set to go with any alignment of the screen unit board
<b>Test functions</b>	Receiving card integrated screen test function, Test display brightness uniformity and display module flatness.
<b>Communication distance</b>	Super Cat5,Cat6 network cable within 80 meters
<b>Port</b>	5V DC Power*2,1Gbps Ethernet port*2, HUB320*8
<b>Input voltage</b>	4.0V-5.5V
<b>Power</b>	5W

### 3. Connection Method

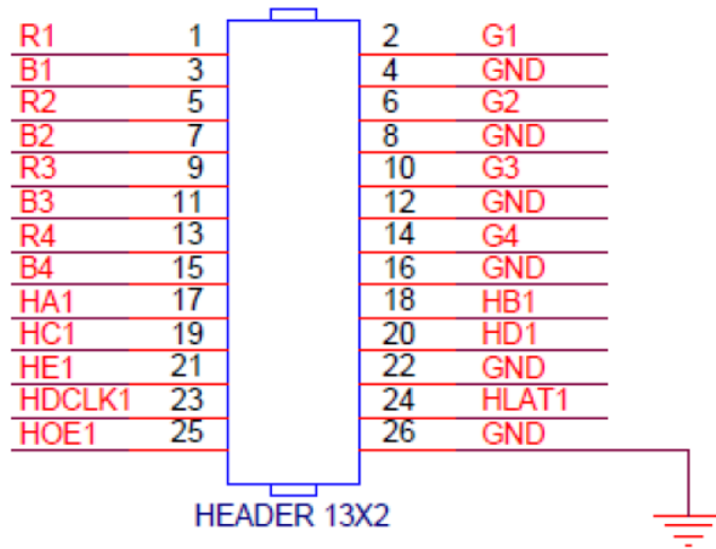
Connection diagram of connecting R732 with sending box.



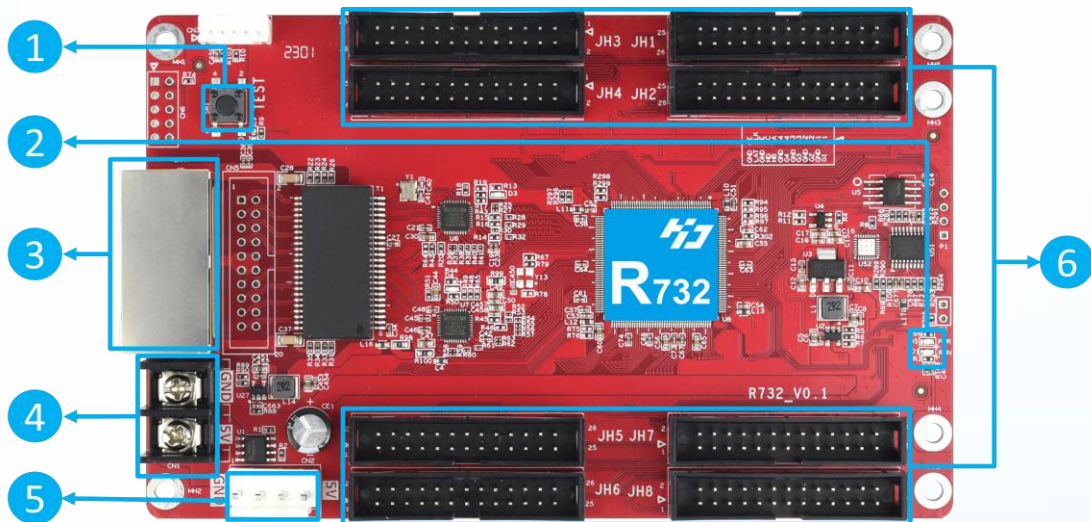
### 4. Dimensions



## 5. Interface Definition



## 6. Appearance Description



①： Test button, used to test display brightness uniformity and display module flatness;

②： Work indicator

Indicator	Color	Status	Description
PWR (D5)	Green	Always on	The power supply is normal.
RUN (D1)	Green	Flashing once every 2s	Ethernet cable connection is abnormal, or no video source input.
		Flashing 4 times every 1s	The receiving card is functioning normally. Ethernet input is available.
		Flashing 5 times in 2.5s, and off 1.5s	receiving card parameter locked state

③： Gigabit Ethernet port, used to connect the sending card or receiving card, the same two network ports are interchangeable;

④： Power interface, can be accessed with 4.0V ~ 5.5V DC voltage;

⑤： Power interface, can be accessed with 4.0V ~ 5.5V DC voltage; (④,⑤) connect one of them is ok.)

⑥： HUB320 port, connect to the modules.

## 7. Technical Parameters

	Minimum	Typical	Maximum
<b>Rated voltage(V)</b>	4.0	5.0	5.5
<b>Storage temperature(°C)</b>	-40	25	105
<b>Work environment temperature(°C)</b>	-40	25	75
<b>Work environment humidity (%)</b>	0.0	30	95
<b>Net weight (kg)</b>	0.104		
<b>Certificate</b>	CE, FCC, RoHS		

## Precautions

- 1) ensure the system long-term stable running, please keep to use the standard 5V power supply voltage.
- 2) Different production batches, color appearance and labels may be different.