



HD Product Specification

Single color control card HD-U6A(USB Port)

V2.0

Overview

For signage, store, outdoor advertising and other information display, HUIDU technology launched our U-disk series control card, updated the display programs by the USB port.

HD-U6A is U-disk series control card, through the USB port to update the program. Cost-effective, simple software to operate, better and rich display effects, supporting variety of monochrome displays.

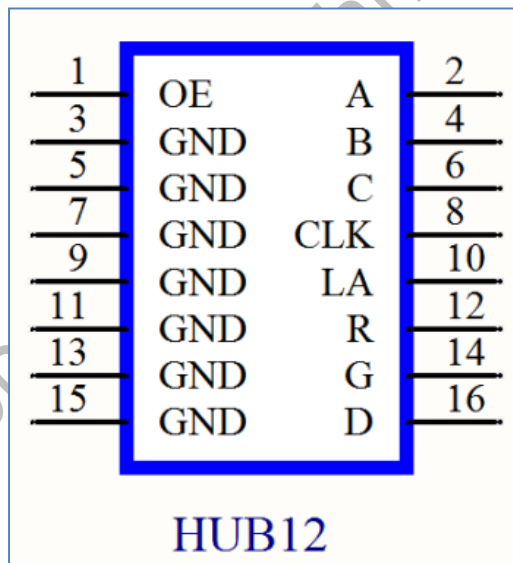
Application software: HD2016

Features

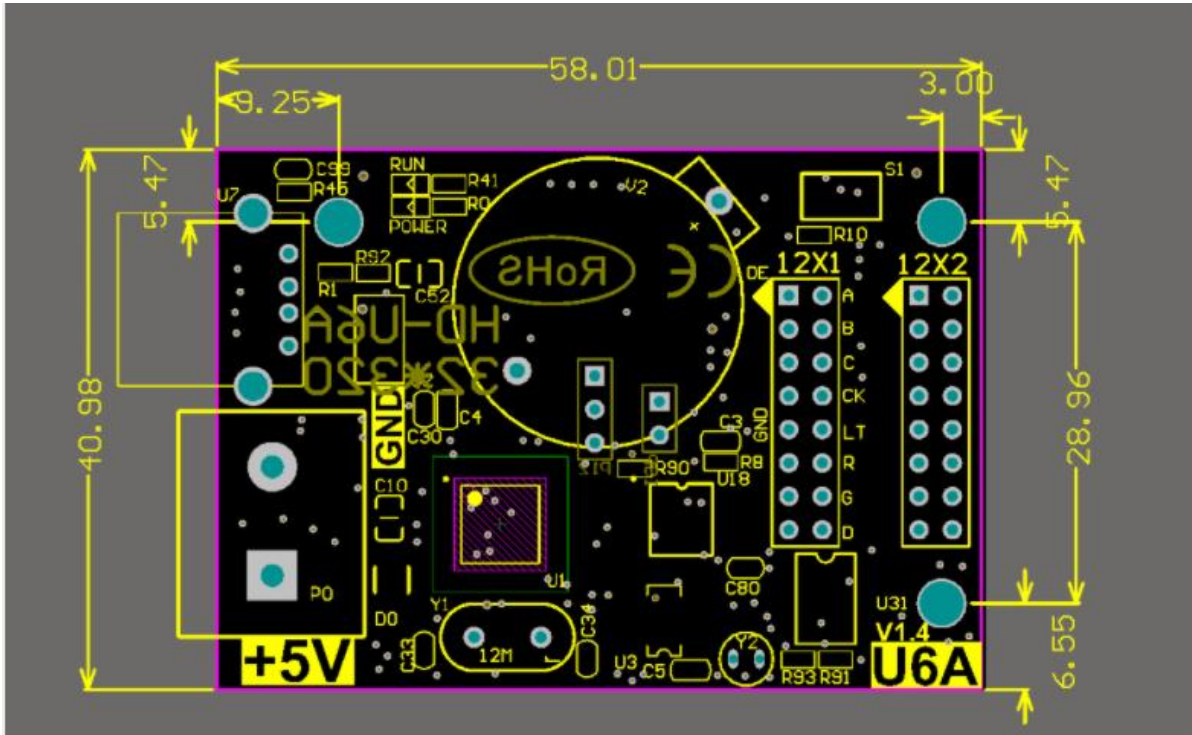
Content	Parameters
Support module	Single color, Various conventional scanning methods
Control range	Single color resolution 320W*32H
FLASH Capacity	1M Byte
Communication Port	U-Disk
HUB Signal	2HUB12
Program Quantity	1000pcs Programs. not support button switch
Area Quantity	4 areas with separate zone, and separated special effects and border
Display Showing	Text、 Animation word、 Time、 Count、 Lunar calendar
Display	Display order
display effect	1.Text、 Animation、 Picture, Time, Timing display
display effect	2. Border functions: Program border, area border and Custom design border.
	3.More than 40 kinds of text effects display
	4.support simple animation characters
	5.support for hollow fonts, strokes and other font settings

display effect	6.support for regional text background settings 7、 support Excel form to add directly
Clock function	1.Support calendar, analog clock, lunar calendar 2. is timing, countdown display 3. display font, size, location, etc. can be arbitrarily set 4. support for multiple time zone display
Extended Equipment	Not support
Automatic switch screen	Brightness setting by Custom、 by time period regulation
Brightness adjustment	Support two modes of brightness adjustment

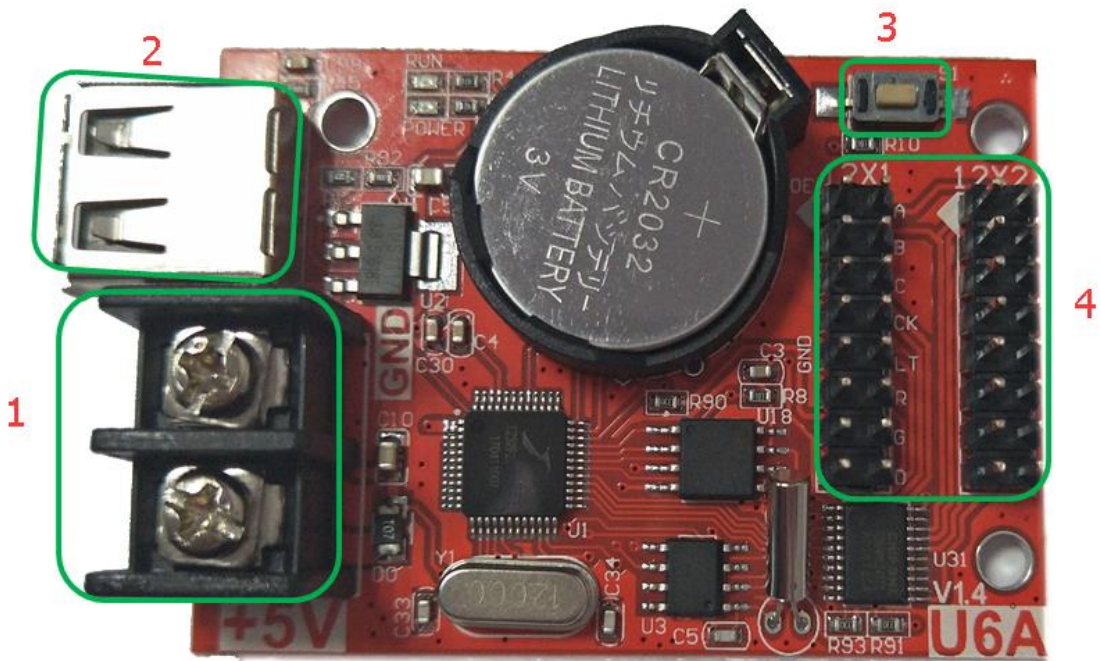
Port Definition



Setup Diagram



HD-U6A Photo



①: Power connector, connect 5V power supply;

- ②： USB ports, Updated program by U-disk;
- ③： Test button, click to switch screen test status;
- ④： 2 HUB12, connect the display;

Technical Parameters

	Minimum	Typical value	Maximum
Rated voltage (V)	4.2	5.0	5.5
Storage temperature(°C)	-40	25	105
Work environment temperature (°C)	-40	25	80
Work environment humidity (%)	0.0	30	95

Precaution

- 1) To ensure that the control card is stored during normal operation, make sure the battery on the control card is not loose;
- 2) In order to ensure the long-term stable operation of the system, please try to use the standard 5V power supply voltage.